

APPLICATION

REVISIONS

NEXT ASSY.

USED ON

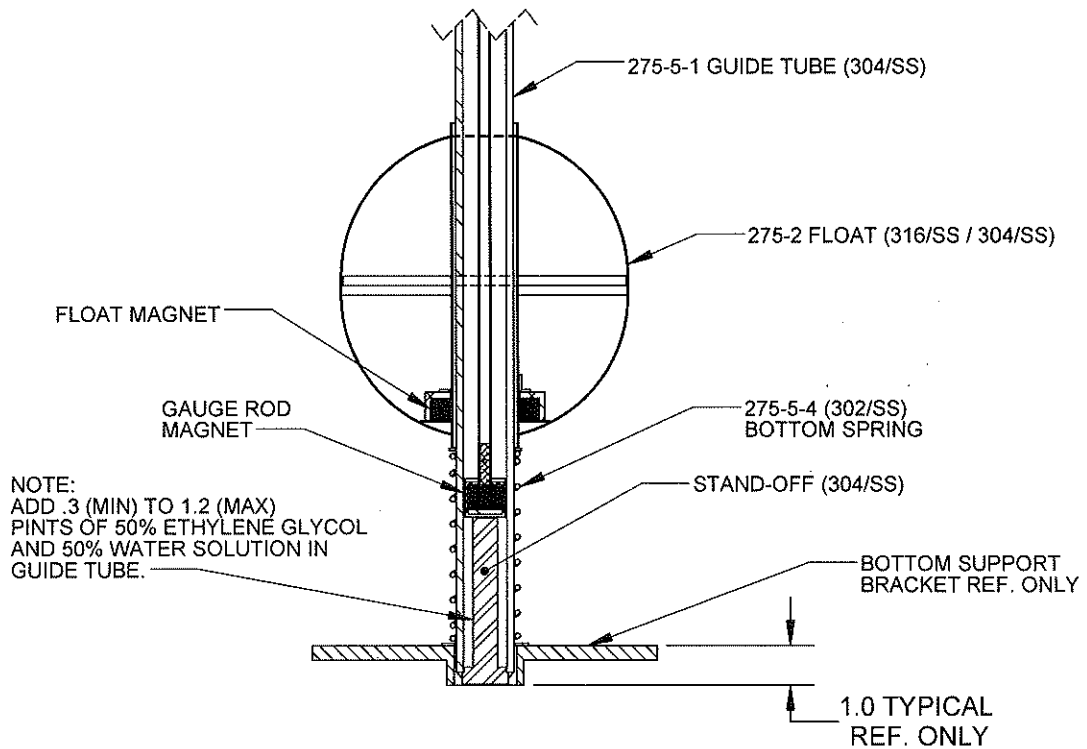
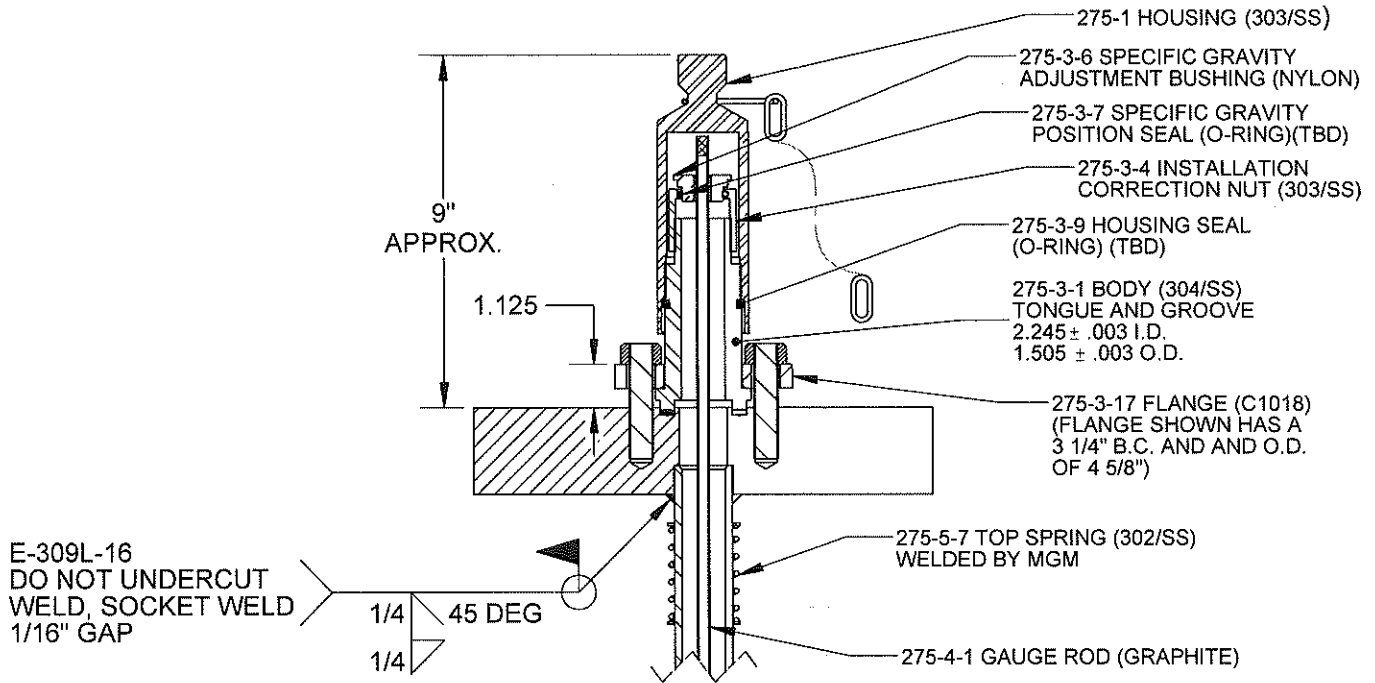
REV.

DESCRIPTION

DATE

- 2 CHANGED DESCRIPTION NUMBERS
- 3 CORRECTED PART NUMBERS
- 4 REDRAWN WITH REDESIGNED PARTS
- 5 ADDED MATERIAL NOTES
- 6 ADDED 304/SS TO FLOAT MATERIAL

- 4-1-15 HG
- 4-11-16 HG
- 5-19-16
- 1-28-19
- 9-18-19



UNLESS OTHERWISE SPECIFIED DIMENSIONS ARE IN INCHES. TOLERANCES ARE:

FRACTIONS DECIMALS ANGLES
± .015 .XX ± .015 ± 1°
.XXX ± .005

CONTRACT NO.



METAL GOODS MANUFACTURING
428 W. 8TH STREET
BARTLESVILLE, OK. 74003

APPROVALS		DATE	TITLE
DRAWN	S. PIERCE	5-19-16	275 MAGNETIC GAUGING DEVICE
CHECKED	<i>flg</i>	9-18-19	
ENGR.			
MATERIAL	REVISD BY S. PIERCE	9-18-19	SIZE PART NO. DWG. NO. REV.
FINISH			A 275A 275 6
DO NOT SCALE DRAWING			SCALE 1:5 WEIGHT SHEET 2B