

APPLICATION

MGM Model 217 Excess Flow Check Valves are designed for use where flanged connections are required. They are made completely of carbon and stainless steel.

Model 217 Excess Flow Check Valves are single flanged, wafer style valves designed to fit inside Schedule 160 pipe. The valve flange will fit inside the bolt pattern of 150# or 300# flanges. Standard gaskets should be used on both sides of the valve.

Model 217 Excess Flow Check Valves can be installed in any orientation with negligible effect on flow rate. Each valve will have the proper closing flow direction indicated by an arrow stenciled on the flange. As with all MGM excess flow check valves, the Model 217 is equipped with an orifice in the check mechanism to allow for pressure equalization and will reopen automatically after repairs are made.

FEATURES

- Designed to fit inside Schedule 160 or less steel pipe.
- Fits inside the bolts of 150 and 300-pound American Standard steel pipe flanges. Valves may also be furnished for ring-type joints.
- Generous flow channels provide minimal pressure drops.
- Heavy duty steel construction will withstand temperatures from -50° F (-45° C) to +300° F (+148° C) and internal pressures up to 2000 psig (138 barg).
- Complete stainless steel construction available for greater range of operating temperatures.

FLOW RATINGS

The table on the following page shows the range of flow rates available for common fluids. Each size valve has several different spring options that can be used to vary the closing flow rate. Please contact MGM for assistance in choosing the proper spring for your specific application.

STANDARD MATERIALS

The table below lists standard material configuration for carbon steel and 316 stainless steel valves.*

	Carbon Steel	316 Stainless
<i>Body</i>	<i>Low-temp Carbon</i>	<i>316-SS</i>
<i>Guide</i>	<i>Low-temp Carbon</i>	<i>316-SS</i>
<i>Spring</i>	--- 316- or 302-SS ---	
<i>Poppet (incl. nut and cotter pin)</i>	--- 316-SS ---	

*Alternative materials available at additional cost

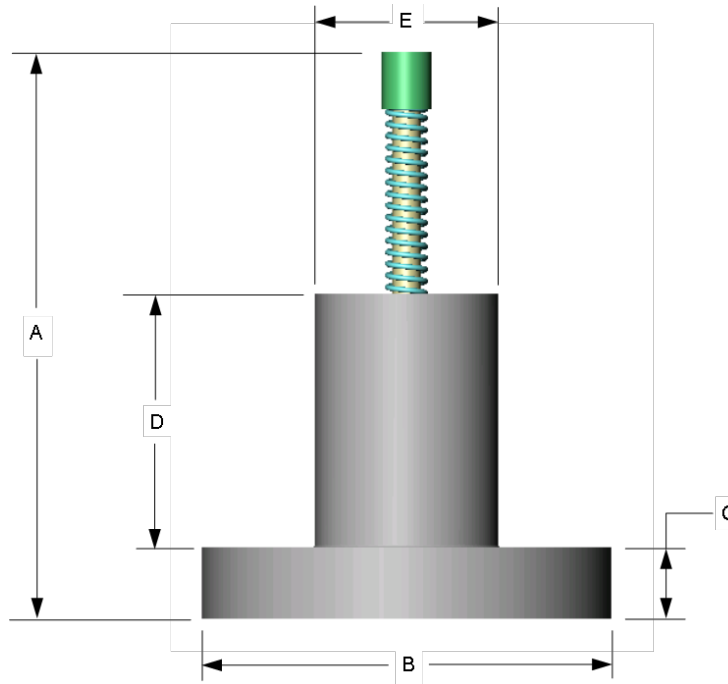
PRODUCT CERTIFICATIONS



Canadian Registration Number
OC13500.5C



CE Mark Certified to Pressure
Equipment Directive 2014/68/EU



ORDERING INFORMATION

Model Number	Pipe Size	Available Closing Flow Ranges – Approximate Flow in GPM Liquid*		Dimensions (inches)				
		Propane	Ammonia	A	B	C	D	E
217:F	1.00"	2 - 17	2 - 16	2.00	2.00	0.38	0.88	0.78
217:G	1.25"	6 - 24	5 - 22	2.72	2.50	0.38	1.25	1.09
217:H	1.50"	10 - 41	9 - 37	3.31	2.88	0.50	1.44	1.27
217:I	2.00"	22 - 91	20 - 83	4.94	3.63	0.63	2.25	1.61
217:J	2.50"	56 - 111	51 - 101	5.25	4.13	0.69	2.63	2.07
217:K	3.00"	87 - 178	79 - 162	6.09	5.00	0.75	3.03	2.58
217:M	4.00"	84 - 281	76 - 255	8.00	6.19	0.81	4.00	3.39
217:N	5.00"	175 - 435	159 - 395	8.66	7.31	1.00	4.91	4.28
217:P	6.00"	231 - 554	210 - 503	9.56	8.50	1.13	5.06	5.15

**Contact MGM for flow rates of other fluids*