

### APPLICATION

MGM is pleased to announce its acquisition of a high flow excess flow check valve from Hemco Industries. These double flanged valves offer much higher flow rates than MGM's other double flanged valves and are available in 2", 3" and 4" versions. They are made of carbon and stainless steel.

The Hemco Excess Flow Check Valves are equipped with either 150# or 300# raised face, forged flanges. Standard gaskets should be used on each end.

The Hemco High Flow Excess Flow Check Valves can be installed in any orientation with negligible effect on flow rate. Each valve will have the proper closing flow direction indicated by an arrow stamped into the body. As with all MGM excess flow check valves, the High Flow Valve is equipped with an orifice in the check mechanism to allow for pressure equalization and will reopen automatically after the repairs are made.

### FEATURES

- Proprietary valve body design enables high closing flows
- Designed to fit between 150 or 300 pound American Standard steel pipe flanges.
- **NEW** low temp A350 LF2 steel construction available.
- Generous flow channels provide minimal pressure drops.
- Heavy duty steel construction will withstand temperatures from -50° F (-45° C) to +300° F (+148° C).
- Complete stainless steel construction available for greater range of operating temperatures.

### FLOW RATINGS

The table on the following page shows the range of flow rates available for common fluids. Each size valve has several different spring options that can be used to vary the closing flow rate. Please contact MGM for assistance in choosing the proper spring for your specific application.

### STANDARD MATERIALS

The table below lists standard material configuration for carbon steel and 316 stainless steel valves.\*

	Carbon Steel	316 Stainless
<i>Body</i>	<i>Low-temp Carbon</i>	<i>316-SS</i>
<i>Guide</i>	<i>Low-temp Carbon</i>	<i>316-SS</i>
<i>Spring</i>	--- 302-SS ---	
<i>Poppet (incl. nut and cotter pin)</i>	--- 316-SS ---	

\*Alternative materials available at additional cost

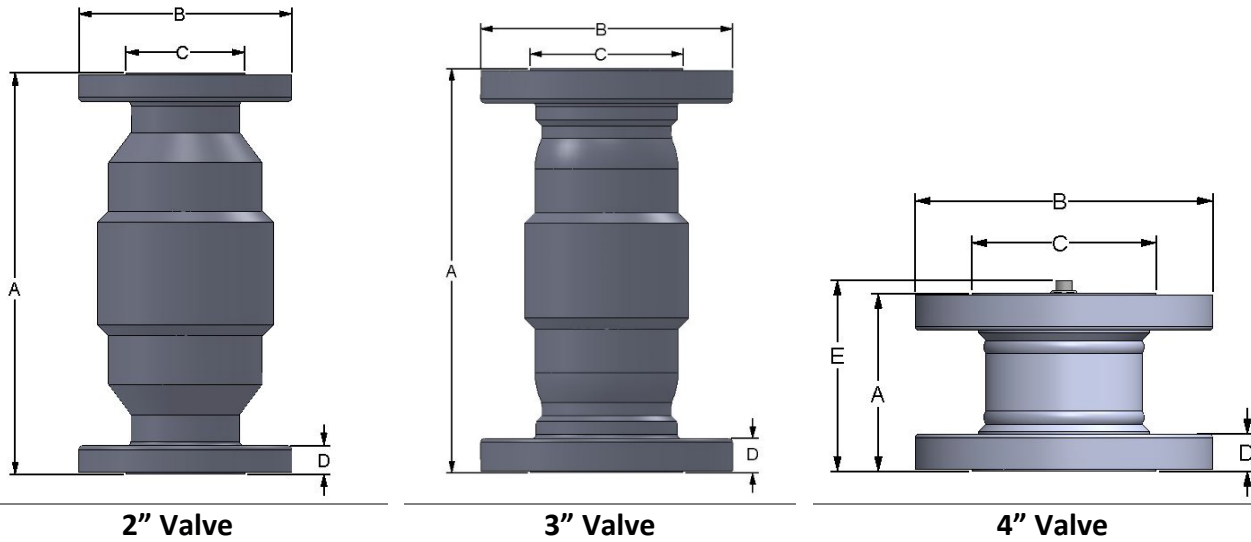
### PRODUCT CERTIFICATIONS



**Underwriters Laboratories, Inc.**  
Listed for propane, butane, and anhydrous ammonia



**Canadian Registration Number**  
OC18566.5ADD1



	VALVE					
	2"		3"		4"	
MODEL	H215	H230	H315	H330	H415	H430
FLANGE	150#	300#	150#	300#	150#	300#
A	12.000	12.250	12.250	13.250	6.000	6.000
B	6.000	6.500	7.500	8.250	9.000	10.000
C	3.625	3.625	5.000	5.000	6.188	6.188
D	0.750	0.875	0.938	1.125	0.938	1.250
E					6.438	6.438
CLOSING FLOWS <sup>‡</sup>	2"		3"		4"	
	Propane	Ammonia	Propane	Ammonia	Propane	Ammonia
S-60	129	117	132	120	144	131
S-80	146	132	150	136	162	147
S-90	153	139	160	145	176	159
S-10	171	155	191	173	212	192
S-12	202	183	215	195	232	210
S-14	216	196	248	224	273	247
S-16	270	244	304	275	334	303
S-18	271	246	314	284	346	314
S-20	318	288	379	343	418	379
S-25	382	347	453	410	500	453
S-30	448	406	520	472	575	521
S-38					754	683

<sup>‡</sup>Gallons per minute